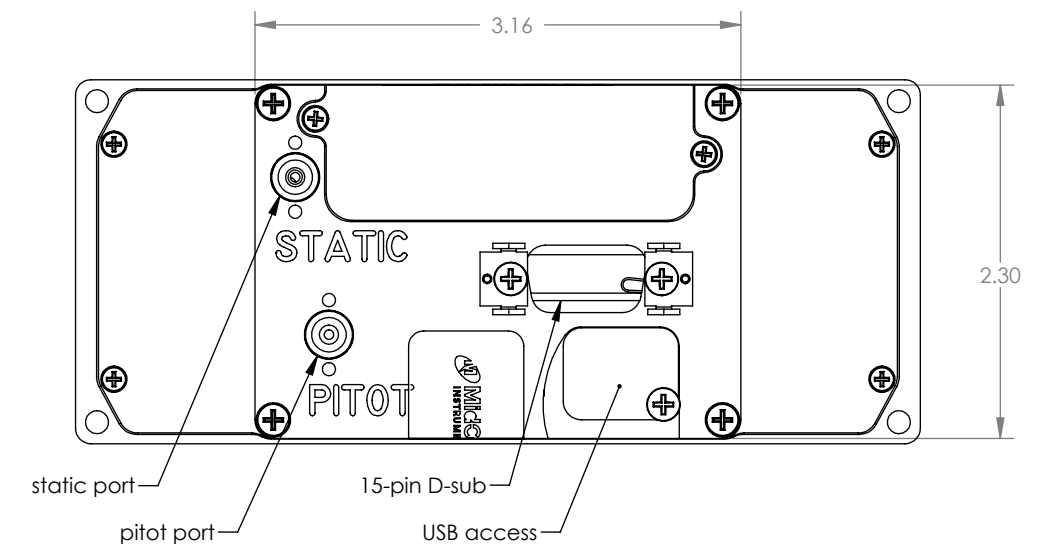
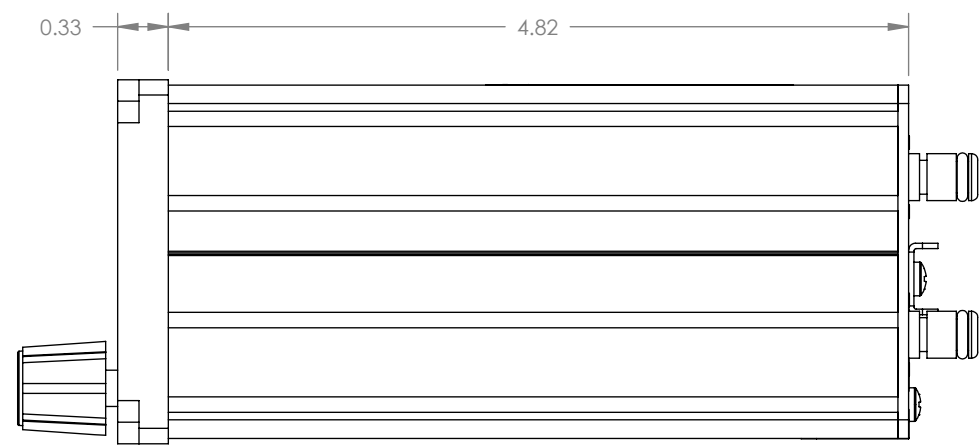
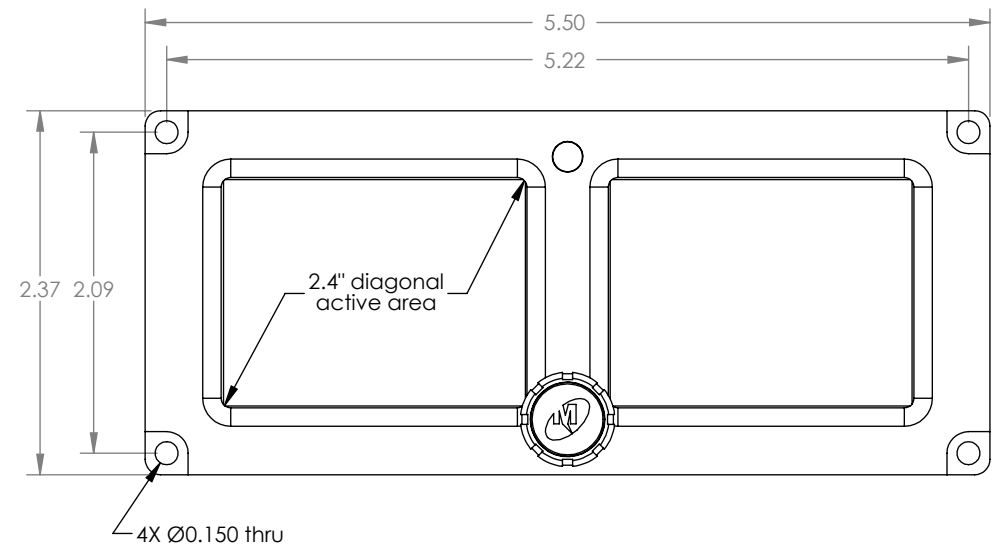


| Configuration | |
|---------------|----------|
| Dash # | |
| -1 | As Shown |

| Revision | | | | |
|----------|------|--|----------|----------|
| ECO | Rev. | Description | Date | Approved |
| | A | Production release. | 10/04/12 | MKN/BAW |
| 5892 | B | Update DO-160 specifications and document title. | 12/12/12 | BMC/BAW |



| SPECIFICATIONS | |
|------------------|--|
| Model | MD302 Standby Attitude Module (SAM™) |
| Features | Panel-mounted solid-state Standby Attitude Module providing attitude, altitude, airspeed, and slip with LCD display and data output |
| Configuration | Installation options for panel tilt, range markings, attitude appearance, display orientation, altitude/airspeed units, lighting characterization and data output format |
| Certifications | FAATSO-C2d (Type B), C3e, C4c, C10b, C106, C113a, C179a |
| Qualifications | RTCA DO-178B, Level A RTCA DO-254, Level A RTCA DO-160G (F1)(S2)AB[R(BB1)]XXXXXXXXZ(ZXX)AZ(ZC)[WF]P[B3H3L3]XXAX |
| Output | ARINC 429 information for attitude, altitude, and airspeed |
| Updates | Field updates available via download and installed using standard USB flash drive |
| Display | (2) 2.4" QVGATFT Active Matrix LCDs |
| Power Input | 10-32VDC; 0.15 watts nominal, 25 watts maximum |
| Backup Power | Integrated rechargeable and field-replaceable battery provides 1 hour minimum of backup power |
| Case/Bezel | Aluminum extrusion case with black anodized bezel |
| Mating Connector | 15-pin D-Sub Configuration Module, MCIAP/n 9017275 Pitot / Static quick disconnect fittings; MCIAP/n 9017642 |
| Weight | 1.6 lbs (0.73 kg) |

| Connector Pinout | | | |
|------------------|--------------------|----|---------------|
| 1 | +10-32VDC input | 8 | ARINC out B |
| 2 | valid signal out | 9 | reserved |
| 3 | ARINC out A | 10 | config clock |
| 4 | reserved | 11 | reserved |
| 5 | config power | 12 | ARINC in A |
| 6 | ground | 13 | ARINC in B |
| 7 | lighting bus input | 14 | config data |
| | | 15 | config return |

| Item | Qty | Part Number | Description |
|------|-----|-------------|------------------------|
| 1 | 1 | 9017165-1 | Assembly, MD302 |
| 2 | 1 | 9017790-1 | Nameplate, MD302 |
| 3 | 1 | 6018956 | Label, Warranty |
| 4 | 1 | DC-9 | Dust Cap, Size 9 D-sub |
| 5 | 2 | VC-312-8 | Dust Cap, air ports |

UNLESS OTHERWISE SPECIFIED, ALL DIMENSIONS ARE IN INCHES.
TOLERANCE:
FRACTIONAL=±1/64
.XX=±0.015
.XXX=±0.005
.XXXX=±0.002
ANGULAR=±0.5°
CONCENTRICITY: 0.005 TIR
BREAK ALL SHARP EDGES
THREADS PER MIL-S-7742

DRAWN:
BAW
9/21/2012

APPROVED:
MKN
10/4/2012

This document discloses proprietary information of Mid-Continent Instrument Co., Inc. It may be reproduced or disclosed only with written permission of Mid-Continent Instrument Co. and is not to be used in any way detrimental to the interests of Mid-Continent Instrument Co., Inc.

MidContinent™
INSTRUMENTS+AVIONICS

TITLE:
Standby Attitude Module

PART NUMBER:
6420302

SCALE: 4:5 DO NOT SCALE THIS DRAWING SHEET: 1 of 1